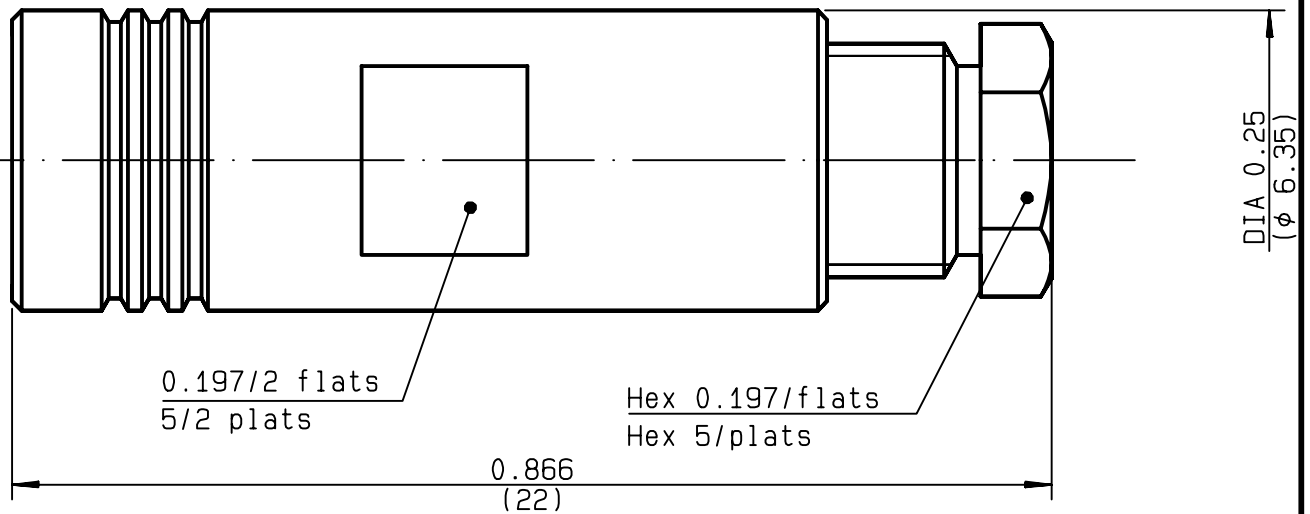



STRAIGHT PLUG CLAMP TYPE
CABLE 2.6/50+75 S - PACK. 500

R114.005.030
SERIES SMB



NOMINAL IMPEDANCE	50 Ω	CABLES : KX 22A RG 179 RG 187 RG 188 RG 316
FREQUENCY RANGE	0-4 GHz	
TEMPERATURE RATING	-65/+165 °C	
V.S.W.R	1.25 + .04 x F(GHz)Maxi	
RF INSERTION LOSS	0.25 √F(GHz) dB Maxi	
VOLTAGE RATING	335 Veff Maxi	
DIELECTRIC WITHSTANDING VOLTAGE	1000 Veff Mini	
INSULATION RESISTANCE	1000 MΩMini	
HERMETIC SEAL	NA Atm.cm ³ /s	
LEAKAGE (pressurized only)	NA	
MECHANICAL DURABILITY	500 Cycles	OTHERS CHARACTERISTICS
WEIGHT	3.1 gr	CABLE RETENTION 110 N Mini
SPECIFICATION		CENTER CONTACT RETENTION
		Axial force - mating end 10 N Mini
		Axial force - opposite end 10 N Mini
		Torque NA cm.N Mini
		RECOMMENDED TORQUES
		Mating NA cm.N
		Panel nut NA cm.N
		Clamp nut 40 cm.N

CONNECTOR PARTS	MATERIALS	FINISH	(all values are given) in micrometers
BODY	BRASS	GOLD 0.2 OVER NICKEL 2	
OUTER CONTACT	BERYLLIUM COPPER	GOLD 0.5 OVER NICKEL 2	
CENTER CONTACT	BERYLLIUM COPPER	GOLD 1.3 OVER NICKEL 2	
INSULATOR	PTFE	-	
GASKET		-	
OTHERS PIECES			

ISSUE	CREATION DATE	FILE PART-NUMBER	 RADIALL ®
9851A00	08/01/1998	96-0104-105	

The information given here is subject to change without notice.
 Design changes may be in order to improve the product .

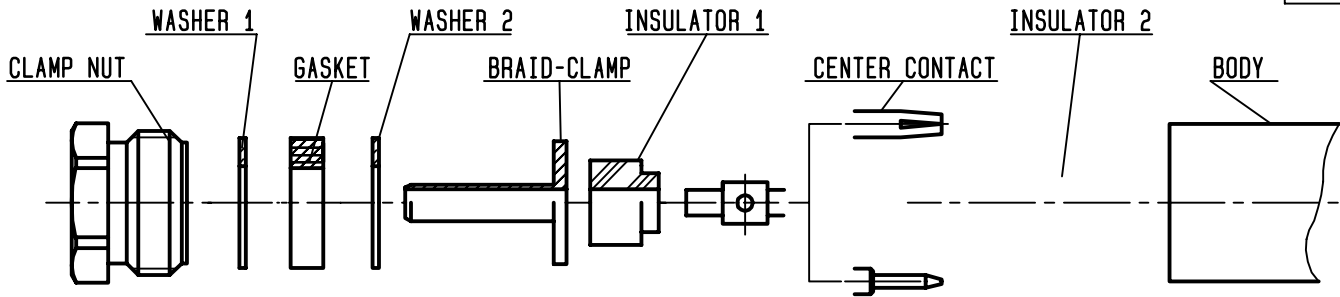
Connect to the future

ILLMER



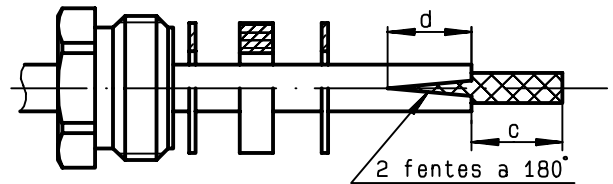
R114.005.030

ISSUE **9851A00** SERIES **SMB**



①

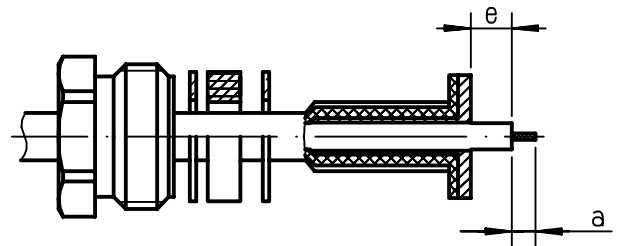
Slide the clamp nut ,the first washer, the gasket, and the second washer onto the cable .
Strip the cable ,then make 2 slits (optional) in the sheath .



Stripping	a	b	c	d	e
inch	0.098 0		0.177	0.177	0.047
mm	2.5		4.5	4.5	1.2

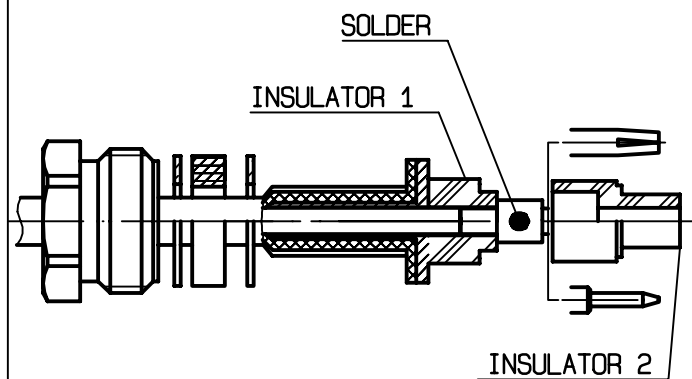
②

Mount the braid-clamp .
Trim braid to diameter of braid clamp .
Strip off the dielectric .



③

Mount the first insulator .
Mount and solder the center contact .
Mount the second insulator .



④

Screw sub-assembly into the connector body .
(recommended coupling torque 40 N x cm)
- 3.54 in.lb
-

